



WCIC25

2.5-Quart Compressor Ice Cream Maker



Item # _____
 Model # _____
 Name _____
 SIS _____
 AIA _____

2.5-Quart Compressor Ice Cream Maker



MAIN FEATURES

- 2.5-quart capacity, electric ice cream maker
- Built-in compressor means no pre-freezing
- Make up to 2.5 quarts of ice cream, frozen yogurt or gelato in as little as 30 minutes
- Easy-to-clean stainless steel exterior and LCD display
- Heavy-duty stainless steel mixing paddle incorporates just the right amount of air
- Removable batch bowl for easy storage and cleaning
- “Keep Cool” feature holds ice cream at the optimal temperature when process is finished
- Limited One Year Warranty

ELECTRICAL

Voltage: 120

Frequency: 60Hz

Watts: 420

Amps: 3.5 A

Plug Type: NEMA 5-15P ⓘ

Cord Length: 3 feet



SALES FEATURES

Add variety and distinction to your dessert menu with ice cream, frozen yogurt, and gelato in customizable specialty flavors. Designed with a built-in compressor and “Keep Cool” feature for exceptional results, this high-efficiency ice cream maker produces 2.5 quarts of delicious frozen treats in as little as 30 minutes. Touch controls ensure easy operation, and the sleek design conserves counter space.



@waringcommercial

©2019 Waring Commercial
 314 Ella T. Grasso Avenue, Torrington, CT 06790
 Tel. 800-492-7464 • Fax 860-496-9008

waringcommercialproducts.com

WCIC25



2.5-Quart Compressor Ice Cream Maker WCIC25

STANDARD ACCESSORIES



WCIC25LID See-through batch bowl lid

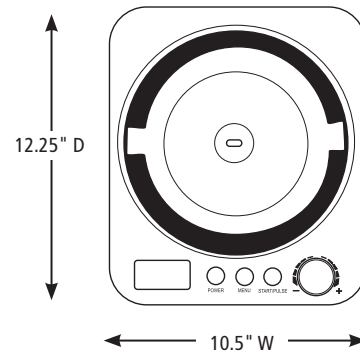
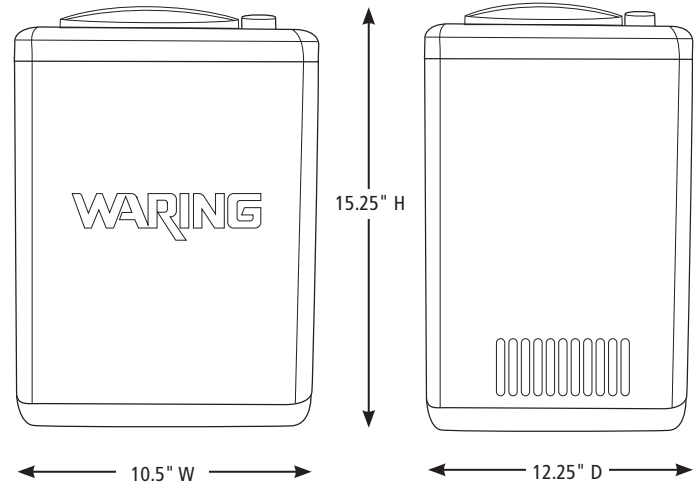


WCIC25PDL Heavy-duty stainless steel paddle



WCIC25BWL Removable aluminum batch bowl

DIMENSIONS



Out of Box Weight: 36.6 lb.

ORDERING INFORMATION	#STD. PKG.	GIFTBOX WEIGHT	CUBIC FEET	BOX DIMENSIONS D X W X H	UPC	CASE PKG.	MC WEIGHT	MC DIMENSIONS D X W X H	MBC
WCIC25 – 2.5-Quart Compressor Ice Cream Maker	1	43	2.25	14.875" x 14.5" x 18"	040072081392	1	43	17.375" x 15" x 20.5"	10040072081399



@waringcommercial

©2019 Waring Commercial
314 Ella T. Grasso Avenue, Torrington, CT 06790
Tel. 800-492-7464 • Fax 860-496-9008

waringcommercialproducts.com

19WC059778 / REV 07/19